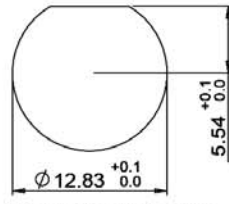


RECOMMEND PC BOARD LAYOUT
WITHOUT MOUNTING POSTS



RECOMMENDED MOUNTING HOLE
MAXIMUM PANEL THICKNESS: 5.5mm

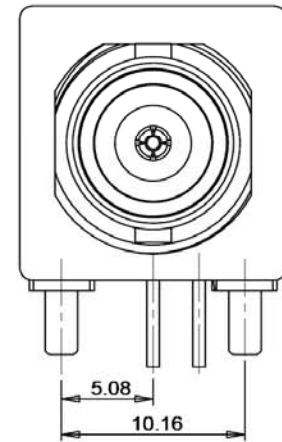
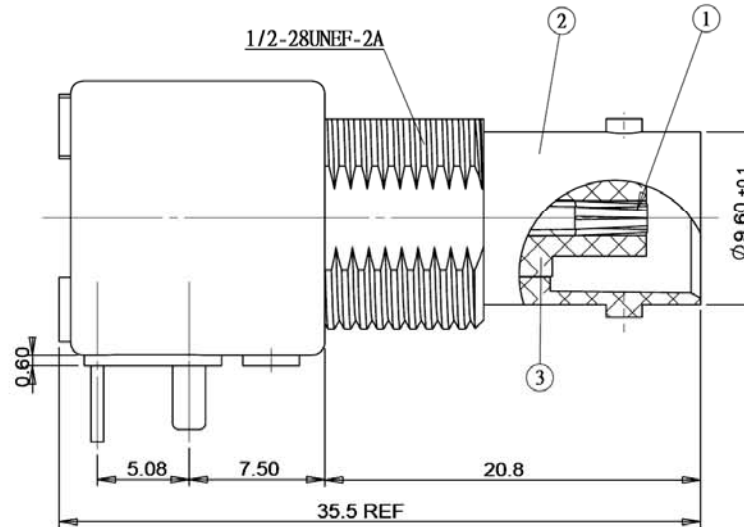
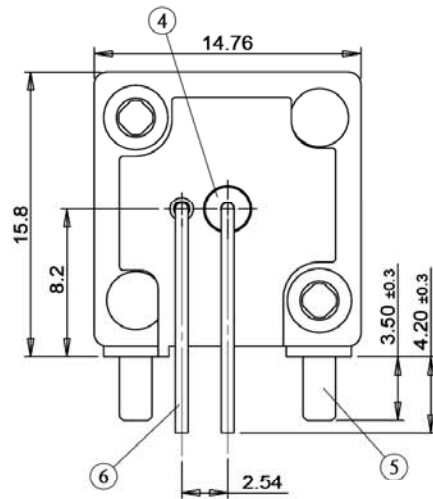


LOCK WASHER
SCALE: 1/1



CLAMP NUT
SCALE: 1/1

1/2-28UNEF-2B



MATERIAL & FINISH

- 1. CENTER CONTACT : PHOSPHOR BRONZE, GOLD PLATING
- 2. BODY : ZINC ALLOY, NICKEL PLATING
- 3&4. INSULATOR : PP
- 5. MOUNTING POST : BRASS, TIN PLATING
- 6. SOLDER TAIL : COPPER WIRE, TIN PLATING
- 7. WASHER : STEEL, NICKEL PLATING
- 8. NUT : BRASS, NICKEL PLATING

DIMENSIONS ARE IN MILLIMETERS		SPARKTRONIC CO., LTD.		RoHS COMPLIANT	
UNLESS OTHERWISE SPECIFIED TOLERANCES	0.5-6= ±0.2	PART NO.	B316ZN-XNGH50	TITLE: BNC RIGHT ANGLE PCB MOUNT JACK	
	6-30= ±0.4	DATE	January / 7 / 2015		
	30-120= ±0.6	NOT SCALED DRAWING		DRAWING NO.	B316ZN-XNGH50
	120-315= ±1.0				
	315-1000= ±1.6				
	1000-2000= ±2.4				