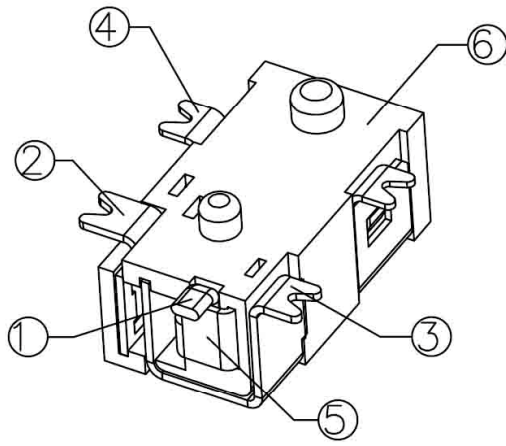
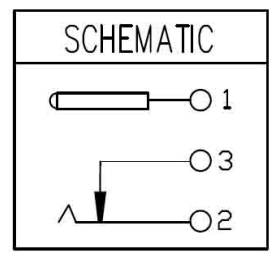


T:1.6 Dimensions of PC board holes
Tolerance : ±0.05(Printed-top view)



Rated voltage/ Rated current : 12V/1A

UNLESS OTHERWISE SPECIFIED, TOLERANCE ON DECIMAL:±0.2



6	HOUSING	1	PA9T		UL-94V0(BLACK)
5	TERMINAL	1	SUS301	t=0.20	Ag PLATED
4	TERMINAL	1	C2680	t=0.20	Ag PLATED
3	SHUNT TERMINAL	1	C2680	t=0.25	Ag PLATED
2	TIP SPRING	1	C5191	t=0.25	Ag PLATED
1	PIN	1	H59(COPPER ALLOY)		Ag PLATED
LTR	PART NAME	QTY	MATERIAL		REMARK

DIMENSIONS ARE IN MILLIMETERS		SPARKTRONIC CO., LTD.		RoHS COMPLIANT	
TOLERANCE UNLESS OTHERWISE SPECIFIED		PART NO.	DC06-R04CSB	TITLE: DIA. 0.65MM DC POWER JACK RIGHT ANGLE SMT TYPE	
LINEAR	0.0±0.25 0.00±0.15	DATE	July / 12 / 2023		
ANGLES	± 3	NOT SCALED DRAWING		DRAWING NO.	DC06-R04CSB