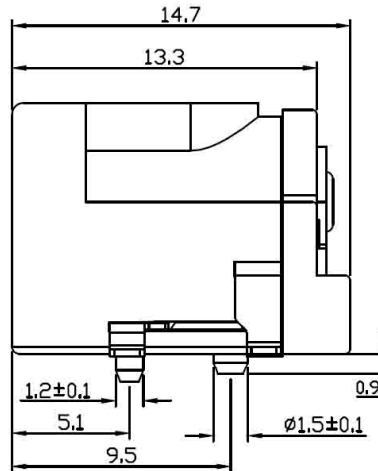
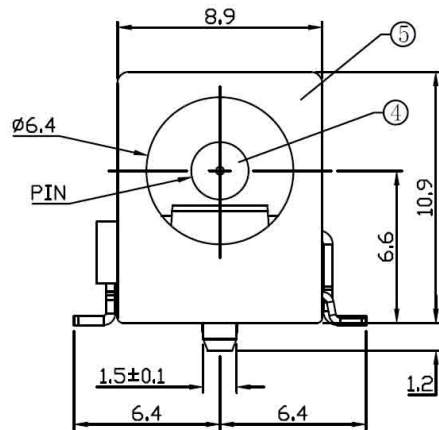


T:1.6 Dimensions of PC board holes
Tolerance : ±0.05(Printed-top view)



SCHEMATIC	
DC20-R45CSB	
DC25-R45CSB	

6	COVER	1	PA9T	UL-94V0(BLACK)
5	HOUSING	1	PA9T	UL-94V0(BLACK)
4	PIN	1	H59(COPPER ALLOY)	Cu/Sn PLATED
3	CURVE PIECE	1	C2680 t=0.40	Sn PLATED
2	SPRING	1	C5191 t=0.30	Sn PLATED
1	CURVE PIECE	1	C2680 t=0.40	Sn PLATED
LTR	PART NAME	QTY	MATERIAL	REMARK

UNLESS OTHERWISE SPECIFIED, TOLERANCE ON DECIMAL±0.2

DIMENSIONS ARE IN MILLIMETERS		SPARKTRONIC CO., LTD.		RoHS COMPLIANT	
TOLERANCE UNLESS OTHERWISE SPECIFIED		PART NO.	DC20,25-R45CSB	TITLE: DIA. 2.00MM, 2.50MM DC POWER JACK RIGHT ANGLE SMT TYPE	
LINEAR	0.0±0.25 0.00±0.15	DATE	July / 12 / 2023		
ANGLES	± 3	NOT SCALED DRAWING		DRAWING NO.	DC20,25-R45CSB