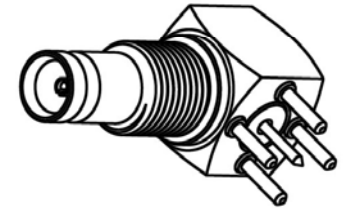
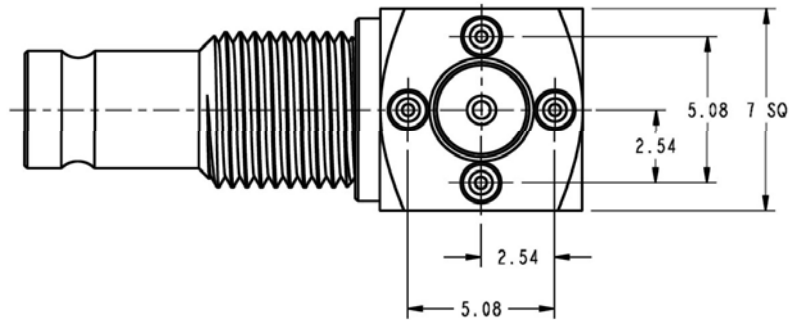
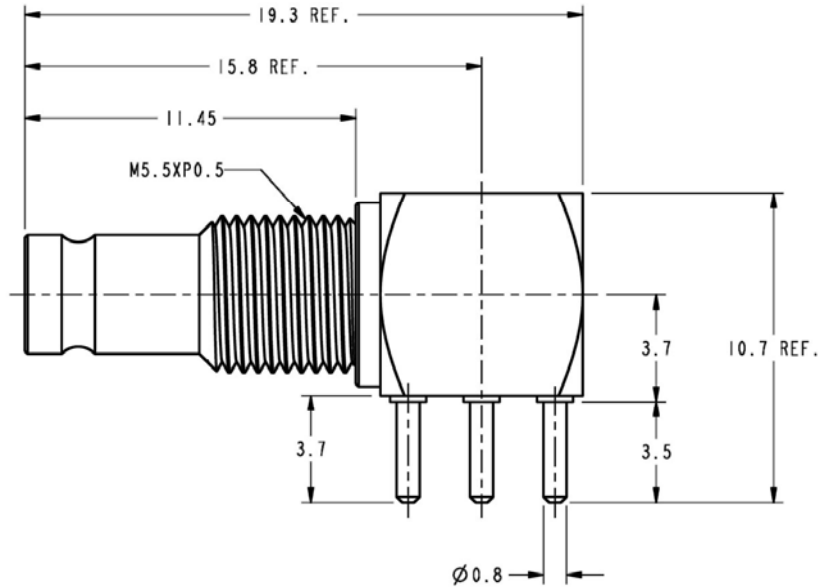


NOTES:

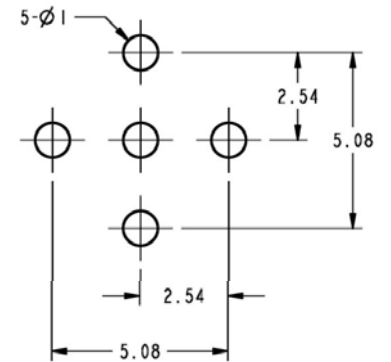
1. MATERIALS AND FINISHES(PLATING THICKNESS IN MICRO-INCHES):  
 BODY - BRASS, GOLD PLATING  
 CONTACT - BeCu, GOLD PLATING  
 INSULATOR - PTFE

2. ELECTRICAL:

A. IMPEDANCE: 50 OHM  
 B. FREQUENCY RANGE: DC-4 GHz  
 C. DIELECTRIC WITHSTANDING VOLTAGE: 750 VRMS, MIN.



SCALE 3.000



RECOMMENDED  
 MOUNTING HOLE  
 SCALE 6.000

DIMENSIONS ARE IN MILLIMETERS		<b>SPARKTRONIC CO., LTD.</b>		RoHS COMPLIANT		
UNLESS OTHERWISE SPECIFIED TOLERANCES      0.5-6= ±0.2 6-30= ±0.4 30-120= ±0.6 120-315= ±1.0 315-1000= ±1.6 1000-2000= ±2.4		PART NO.	EB055CU-XGGT50	TITLE: 1.0/2.3 RIGHT ANGLE PCB MOUNT JACK		
		DATE	July / 22 / 2013			
NOT SCALED DRAWING			DRAWING NO.	EB055CU-XGGT50		