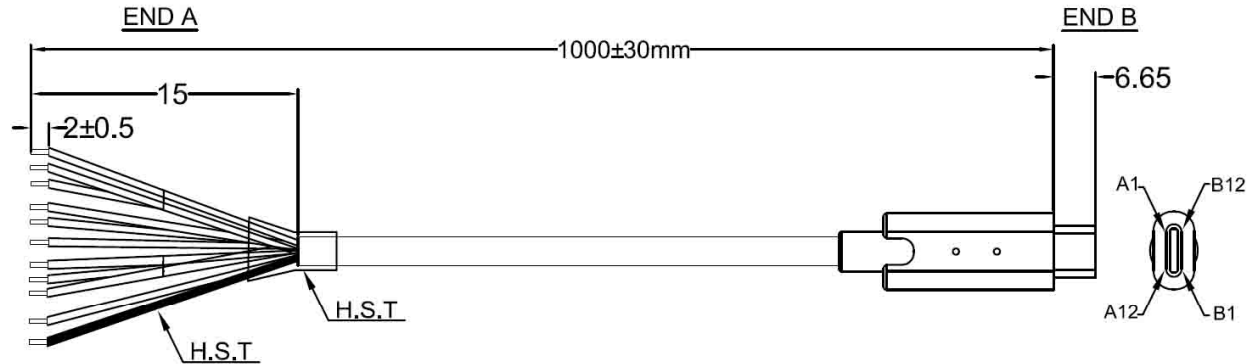


■ CONFIGURATION



■ SPECIFICATION OF MATERIAL

1. END A

CONT. PLATING MOLD No. SHIELD'G

CONNECTOR TYPE T. SCREW

2. END B

CONT. PLATING MOLD No. SHIELD'G

CONNECTOR TYPE T. SCREW

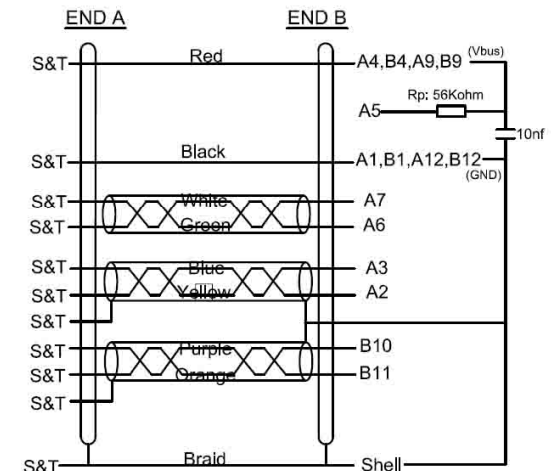
3. WIRES

WIRE GAUGE LENGTH SHIELD'G

CONDUCTORS COLOR UL/CSA

JACKET MAT'L INS. MAT'L WIRE O.D.

4. CONNECTOR PIN OUT



5. SPECIAL REQUIREMENTS

5.1 Product requirement for Green environment protection:RoHS.

5.2 Overmold PVC is 45P Black .

DIMENSIONS ARE IN MILLIMETERS		SPARKTRONIC CO., LTD.		RoHS COMPLIANT	
TOLERANCE UNLESS OTHERWISE SPECIFIED		PART NO.	KUC31V-1MB	TITLE: USB3.1 TYPE C 24 PIN MALE WITH 10nF CAPACITOR & 56K OHM RESISTOR TO 11 PIN TINNED END L=1M (2M ALSO AVAILABLE)	
LINEAR	0.0±0.25 0.00±0.15	DATE	October / 24 / 2022		
ANGLES	± 3	NOT SCALED DRAWING			
		DRAWING NO.	KUC31V-1MB		