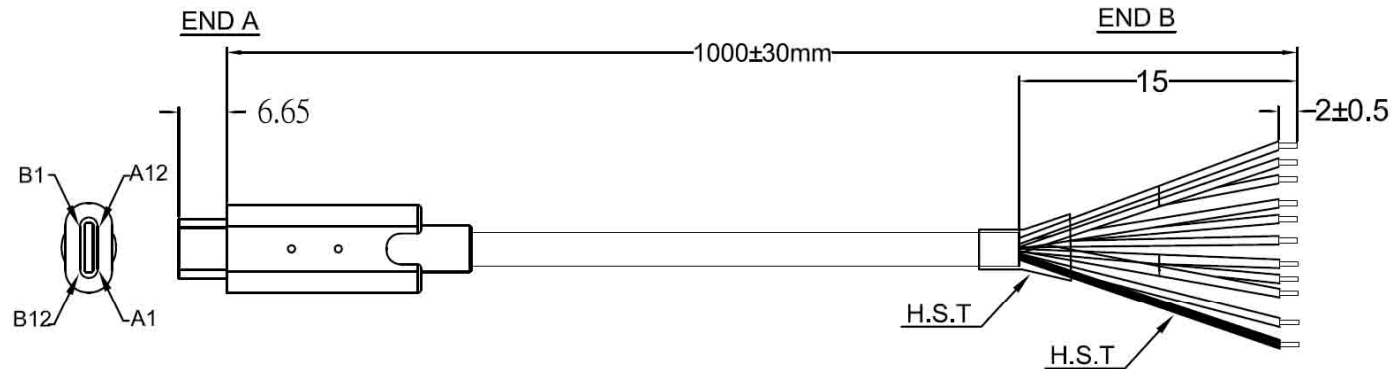


## ■ CONFIGURATION



## ■ SPECIFICATION OF MATERIAL

### 1. END A

CONT. PLATING  MOLD No.  SHIELD'G

CONNECTOR TYPE  T. SCREW

### 2. END B

CONT. PLATING  MOLD No.  SHIELD'G

CONNECTOR TYPE  T. SCREW

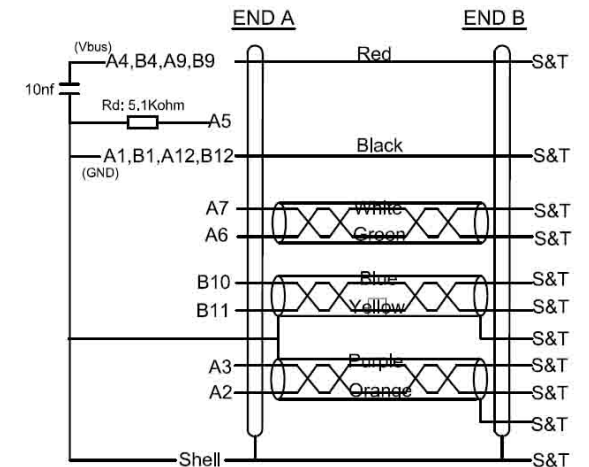
### 3. WIRES

WIRE GAUGE  LENGTH  SHIELD'G

CONDUCTORS  COLOR  UL/CSA

JACKET MAT'L  INS. MAT'L  WIRE O.D.

## 4. CONNECTOR PIN OUT



## 5. SPECIAL REQUIREMENTS

5.1 Product requirement for Green environment protection:RoHS.

5.2 Overmold PVC is 45P Black.

|                                      |                       |                              |                     |  |            |
|--------------------------------------|-----------------------|------------------------------|---------------------|--|------------|
| DIMENSIONS ARE IN MILLIMETERS        |                       | <b>SPARKTRONIC CO., LTD.</b> |                     | RoHS COMPLIANT   |            |
| TOLERANCE UNLESS OTHERWISE SPECIFIED |                       | PART NO.                     | KUC31X-1MB          | TITLE: USB3.1 TYPE C 24 PIN MALE WITH 10nF CAPACITOR & 5.1K OHM RESISTOR TO 11 PIN TINNED END L=1M (2M ALSO AVAILABLE) |            |
| LINEAR                               | 0.0±0.25<br>0.00±0.15 | DATE                         | October / 24 / 2022 |  |            |
| ANGLES                               | ± 3                   | NOT SCALED DRAWING           |                     | DRAWING NO.  | KUC31X-1MB |