

MATERIALS:

PLASTIC HOUSING: HIGH TEMP. THERMOPLASTIC
 FLAMMABILITY RATING UL 94V-0.

CONTACTS: PHOSPHOR BRONZE

PLATING: GOLD PLATING OVER NICKEL IN CONTACT.

TIN PLATING OVER NICKEL IN SOLDER AREA.

SHIELD: BRASS PLATING NICKEL ALLOY.

ORDERING INFORMATION:

PART NO.

CONTACT FINISH

LTM1-88AB06YN

6 MICROINCH GOLD

LTM1-88BB06YN

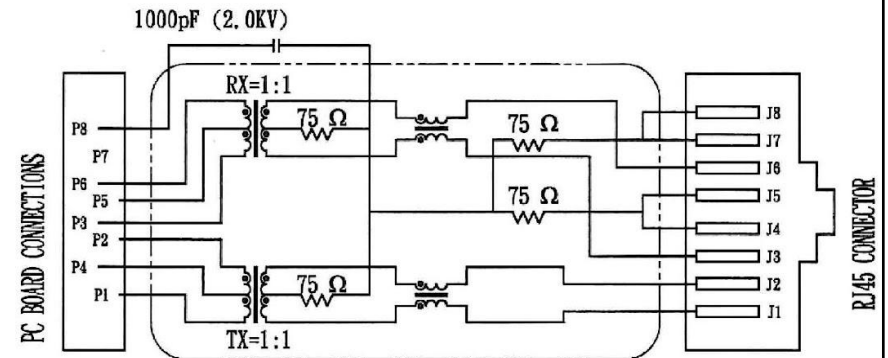
15 MICROINCH GOLD

LTM1-88CB06YN

30 MICROINCH GOLD

LTM1-88DB06YN

50 MICROINCH GOLD



DIMENSIONS ARE IN MILLIMETERS

SPARKTRONIC CO., LTD.

RoHS COMPLIANT

TOLERANCE UNLESS OTHERWISE SPECIFIED

PART NO.

MJM1-88xB06YN

TITLE: FULLY SHIELDED SIDE ENTRY MAGNETIC
 10/100 BASE-T RJ45 JACK WITH SCHEMATICS
 06 & LED1=YELLOW + LED2=GREEN

LINEAR

0.0±0.25

DATE

July / 6 / 2023

0.00±0.15

ANGLES

± 3

NOT SCALED DRAWING

DRAWING NO.

MJM1-88xB06YN