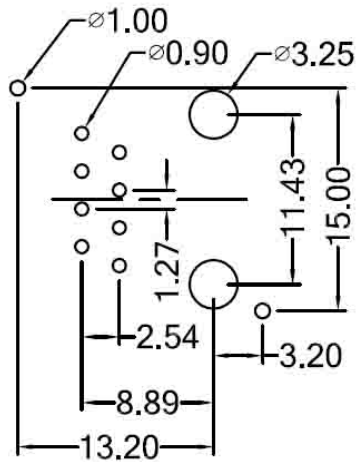
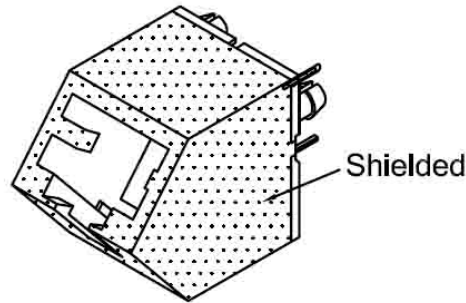


**MATERIAL & FINISH**

Housing & Insert: PBT, UL94V-0, white  
 Conductor: 0.35 × 0.42 mm phosphor bronze,  
 Plating: Gold plated over nickel on contact area,  
 Tin plated over nickel on solder area.  
 Copper Plate: 0.30 mm brass alloy.  
 Shield: Copper alloy with nickel plated.



PCB LAYOUT / TOP VIEW



**ORDER INFORMATION:**

<u>PART NO.</u>	<u>CONTACT FINISH</u>
MJ7J-88AW	6 MICROINCH GOLD
MJ7J-88BW	15 MICROINCH GOLD
MJ7J-88CW	30 MICROINCH GOLD
MJ7J-88DW	50 MICROINCH GOLD

DIMENSIONS ARE IN MILLIMETERS		<b>SPARKTRONIC CO., LTD.</b>		RoHS COMPLIANT	
TOLERANCE UNLESS OTHERWISE SPECIFIED		PART NO.	MJ7J-88xW	TITLE: CAT.5e FULLY SHIELDED 45 DEGREE ENTRY MODULAR PCB JACK	
LINEAR	0.0±0.25 0.00±0.15	DATE	July / 12 / 2023		
ANGLES	± 3	NOT SCALED DRAWING		DRAWING NO.	MJ7J-88xW