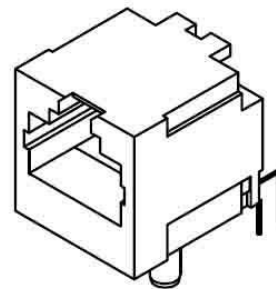
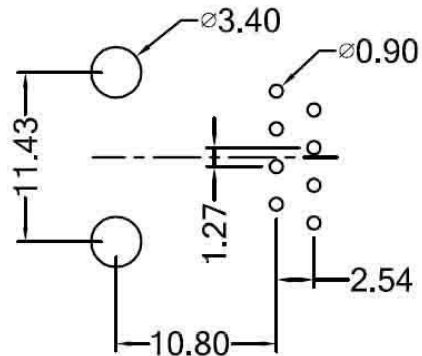


MATERIAL & FINISH

Housing & Insert: PBT, UL94V-0, black
 Conductor: 0.35 x 0.42 mm phosphor bronze,
 Gold plated over nickel on contact area,
 Tin-Lead plated over nickel on solder area.

ORDER INFORMATION:

<u>PART NO.</u>	<u>CONTACT FINISH</u>
MJTY-88AB	6 MICROINCH GOLD
MJTY-88BB	15 MICROINCH GOLD
MJTY-88CB	30 MICROINCH GOLD
MJTY-88DB	50 MICROINCH GOLD



PCB LAYOUT / TOP VIEW

DIMENSIONS ARE IN MILLIMETERS		SPARKTRONIC CO., LTD.		RoHS COMPLIANT	
TOLERANCE UNLESS OTHERWISE SPECIFIED		PART NO.	MJTY-88xB	TITLE: CAT.5E UNSHIELDED SIDE ENTRY 8P8C MODULAR PCB JACK	
LINEAR	0.0±0.25	DATE	July / 7 / 2023		
	0.00±0.15				
ANGLES	± 3	NOT SCALED DRAWING		DRAWING NO.	MJTY-88xB