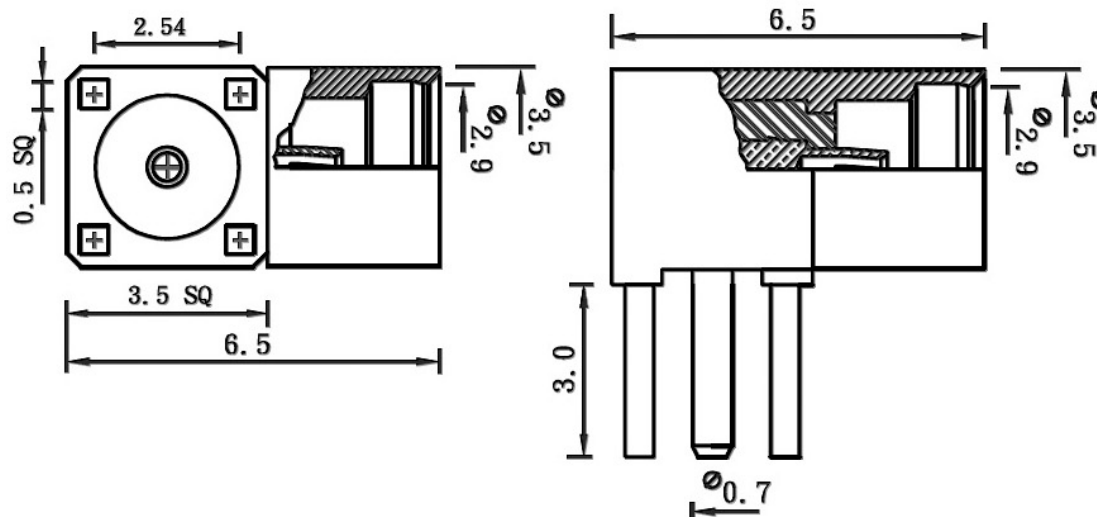


Impedance		50 Ω
Frequency range		DC thru 6 GHz
VSWR SMT and Edgecard (Mated Pair) DC-4 GHz 4-6 GHz	4.4.1	1.15 Max 1.40 Max
Dielectric Withstanding Voltage (at Sea Level) Working Voltage (at Sea Level)	4.4.5 4.4.4	500V rms, 50 Hz ≤170V rms, 50 Hz
Insulation Resistance	4.4.4	≥ 500 MΩ
Insulation Resistance Contact Resistance Center Conductor Outer Conductor	4.4.2 4.4.3	≤ 10 MΩ ≤ 5 MΩ



*These characteristics are typical and may not apply to all connectors.

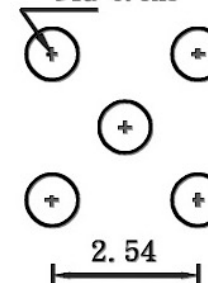
NOTE: FINISH (PLATING THICKNESS IN MICRO-INCHES)

1. BRASS PER JIS-C3604
2. TEFLON PER ASTM D1457 AND ASTM D1710
3. CONNECTOR INTERFACE PER MIL-STD-348A
4. PART TO BE CLEAN AND FREE BURRS
5. GOLD PL 1-3 μ" OVER NICKEL PL 70 μ" THICK

3	Insulator	Teflon	White
2	Contact	PH/Bronze	Gold
1	Body	Brass	Gold
No	Description	Material	Finish

Mounting Holes

Dia 0.9x5



DIMENSIONS ARE IN MILLIMETERS

SPARKTRONIC CO., LTD.

RoHS COMPLIANT

UNLESS OTHERWISE SPECIFIED

TOLERANCES 0.5-6= ±0.2

6-30= ±0.4

30-120= ±0.6

120-315= ±1.0

315-1000= ±1.6

1000-2000= ±2.4

PART NO.

MM859-XGGT50

DATE

September / 25 / 2014

NOT SCALED DRAWING

TITLE: MMCX RIGHT ANGLE P.C.BOARD MOUNT JACK

DRAWING NO.

MM859-XGGT50