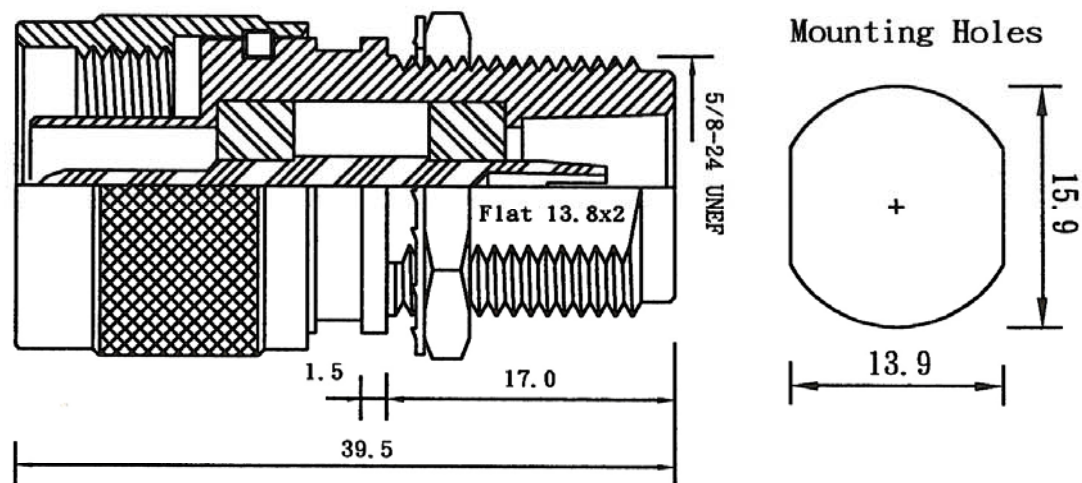


Impedance	50 Ω
Frequency range	0-6 GHz
Voltage rating	1500 volts peak
Dielectric withstanding voltage	2500 volts rms
VSWR	M39012 straight connectors:1.3max.0-11GHz M39012 right angle:1.35 max.0-11GHz
othr (MIL-C-39012 cable connectors)	Contact resistance: center contact 1.0 milliohm outer contact 0.2 milliohm Insertion loss:0.15db max at 10.0GHz Insulation resistance:5000 megohms(min)
Coupling Torque	15.0 lb-in (1.70 N.m)

6	Gasket	Rubber	Red
5	Shell	Brass	Nickel
4	Nut	Brass	Nickel
3	Insulator	Delrin	White
2	Contact	Brass	Gold
1	Body	Brass	Nickel
No	Description	Material	Finish



1. BRASS PER JIS-C3604
2. TEFLON MIL-P-19468
3. CONNECTOR INTERFACE PER MIL-STD-348A
4. PART TO BE CLEAN AND FREE BURRS
5. NICKEL PL 70 μ" THICK OVER COPPER STRIKE
6. GOLD PL 1-3μ" OVER NICKEL PL 70 μ" THICK OVER COPPER STRIKE

DIMENSIONS ARE IN MILLIMETERS		<b>SPARKTRONIC CO., LTD.</b>		RoHS COMPLIANT	
UNLESS OTHERWISE SPECIFIED TOLERANCES 0.5-6= ±0.2 6-30= ±0.4 30-120= ±0.6 120-315= ±1.0 315-1000= ±1.6 1000-2000= ±2.4		PART NO.	N427CU-XNGD50		TITLE: N MALE TO N FEMALE BULKHEAD ADAPTER
		DATE	September / 14 / 2010		
		NOT SCALED DRAWING			DRAWING NO.