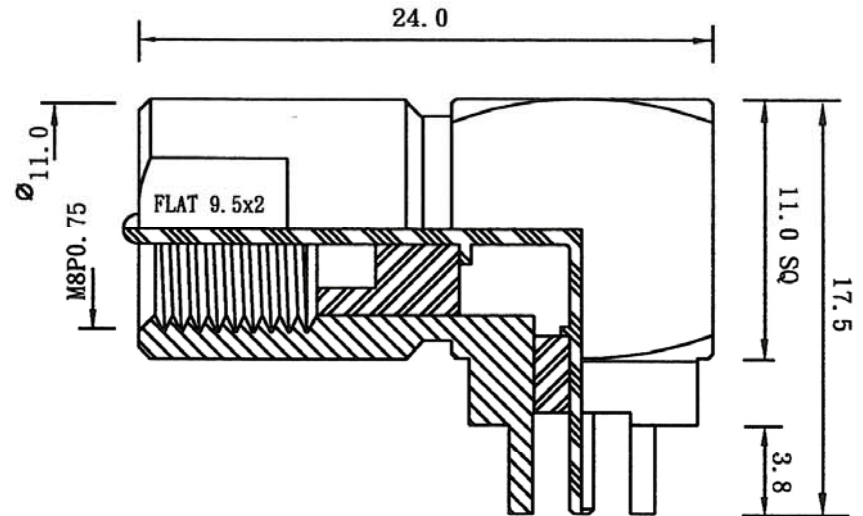
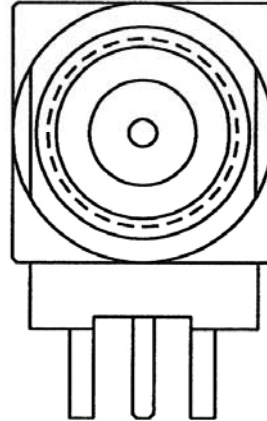


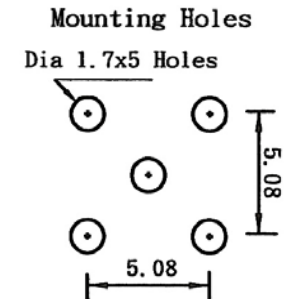
Impedance	50Ω
Frequency range	0-3 GHz
VSWR (straight connectors)	≤ 1.22 typ
Insulation resistance	≥ 5 x 10 ³ MΩ
Center contact resistance	≤ 10.0 mΩ
Outer contact resistance	≤ 5.0 mΩ
Test voltage	1000V rms
Working voltage	500 V rms
Insertion loss(dB)	≤ 0.1dB max/1GHz typ



NOTE: FINISH (PLATING THICKNESS IN MICRO-INCHES)

1. BODY/CONTACT: BRASS PER JIS-C3604
2. INSULATION: TEFLON PER ASTM D1457 AND ASTM D1710
3. CONNECTOR INTERFACE PER MIL-STD-348A
4. PART TO BE CLEAN AND FREE BURRS
5. NICKEL PL 70 μ" THICK OVER COPPER STRIKE
6. GOLD PL 1-3μ" OVER NICKEL PL 70 μ" THICK OVER COPPER STRIKE

3	Insulator	Teflon	White
2	Contact	Brass	Gold
1	Body	Brass	Nickel
No	Description	Material	Finish



DIMENSIONS ARE IN MILLIMETERS		SPARKTRONIC CO., LTD.		RoHS COMPLIANT	
UNLESS OTHERWISE SPECIFIED TOLERANCES	0.5-6= ±0.2	PART NO.	NP719CU-XNGT50	TITLE: FME(SAP,NIPPLE) R/A PCB MOUNT PLUG	
	6-30= ±0.4	DATE	September / 16 / 2010		
	30-120= ±0.6	NOT SCALED DRAWING		DRAWING NO.	NP719CU-XNGT50
	120-315= ±1.0				
	315-1000= ±1.6				
	1000-2000= ±2.4				