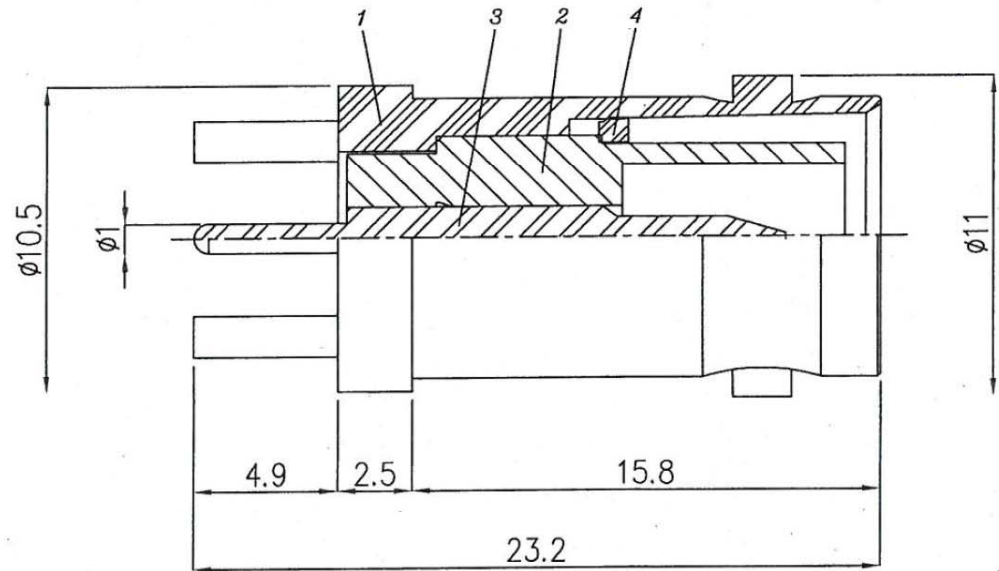
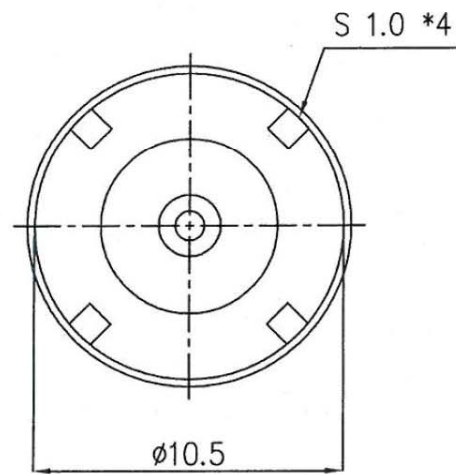


$\phi 1.2\text{min} * 1$
 $\phi 1.5\text{min} * 4$
 PCB MOUNTING HOLE



NO	DESCRIPTION	Q'TY	MATERIAL	PLATING
1	BODY	1	BRASS	NICKEL
2	DIELECTRIC	1	PTFE	-
3	CENTER PIN	1	BRASS	GOLD
4	PARTS	1	BRASS	NICKEL

DIMENSIONS ARE IN MILLIMETERS

SPARKTRONIC CO., LTD.

RoHS COMPLIANT

UNLESS OTHERWISE SPECIFIED

TOLERANCES
 0.5-6= ± 0.2
 6-30= ± 0.4
 30-120= ± 0.6
 120-315= ± 1.0
 315-1000= ± 1.6
 1000-2000= ± 2.4

PART NO.

RB724CU-XNGT50

TITLE: REVERSE POLARITY BNC PCB MOUNT JACK

DATE

November / 27 / 2015

NOT SCALED DRAWING

DRAWING NO.

RB724CU-XNGT50