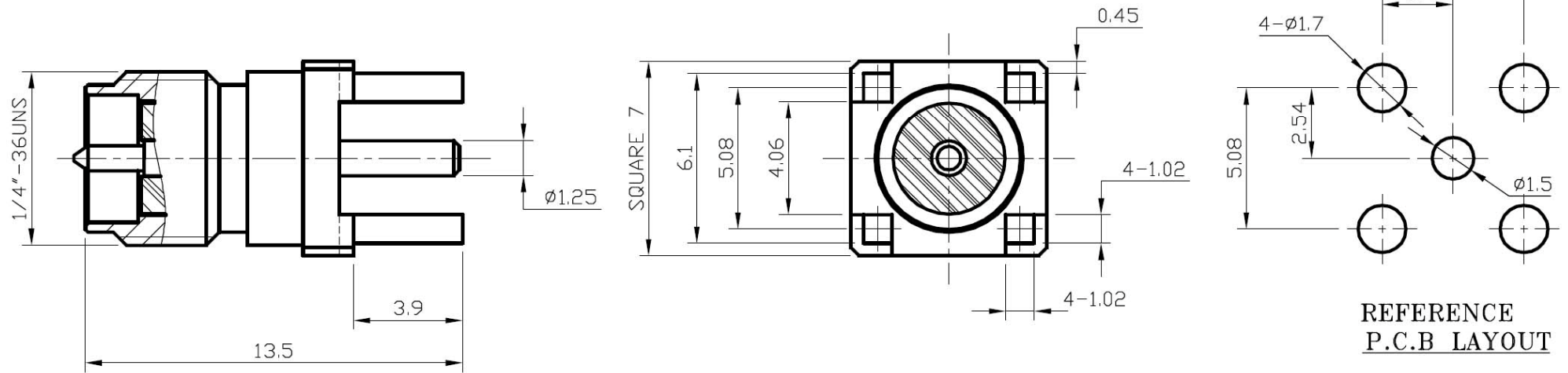


NOMINAL IMPEDANCE: 50Ω  
 FREQUENCY RANGE: 0 ~ 6GHz  
 VSWR: 1.3 MAX



NO	DESCRIPTION	MATERIAL	Q'TY	FINISH
05	PRESS WASHER	BRASS	1	GOLD
04	INSULATOR	TEFLON	1	
03	CENTER PIN	BRASS	1	GOLD
02	INSULATOR	TEFLON	1	
01	BODY	BRASS	1	GOLD

DIMENSIONS ARE IN MILLIMETERS		<b>SPARKTRONIC CO., LTD.</b>		RoHS COMPLIANT		
UNLESS OTHERWISE SPECIFIED TOLERANCES      0.5-6= ±0.2 6-30= ±0.4 30-120= ±0.6 120-315= ±1.0 315-1000= ±1.6 1000-2000= ±2.4		PART NO.	RS920CU-XGGT50			TITLE: REVERSE POLARITY SMA PCB MOUNT JACK
		DATE	July / 21 / 2020			
		NOT SCALED DRAWING			DRAWING NO.	RS920CU-XGGT50