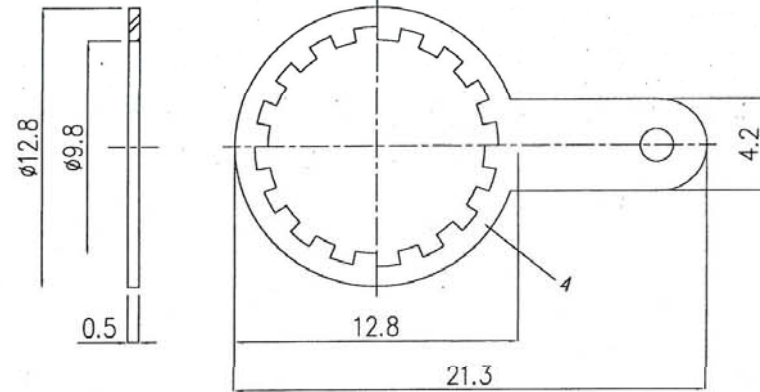
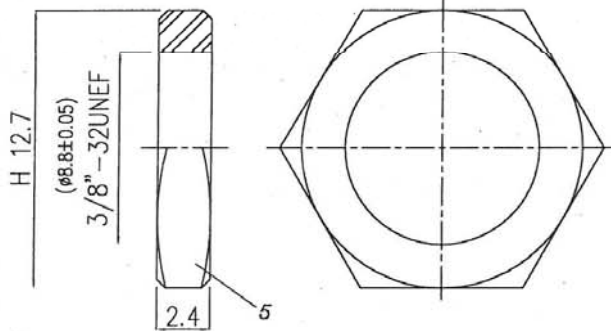


MOUNTING HOLE



NO	DESCRIPTION	Q'TY	MATERIAL	PLATING
1	BODY	1	BRASS	NICKEL
2	DIELECTRIC	1	PTFE	-
3	CENTER PIN	1	BRASS	GOLD
4	SOLDER LUG	1	BRASS	NICKEL
5	NUT	1	BRASS	NICKEL

DIMENSIONS ARE IN MILLIMETERS

SPARKTRONIC CO., LTD.

RoHS COMPLIANT

UNLESS OTHERWISE SPECIFIED

TOLERANCES
 0.5-6= ±0.2
 6-30= ±0.4
 30-120= ±0.6
 120-315= ±1.0
 315-1000= ±1.6
 1000-2000= ±2.4

PART NO.

RT851CU-XNGT50

TITLE: REVERSE POLARITY TNC BULKHEAD SOLDER JACK

DATE

November / 27 / 2015

NOT SCALED DRAWING

DRAWING NO.

RT851CU-XNGT50