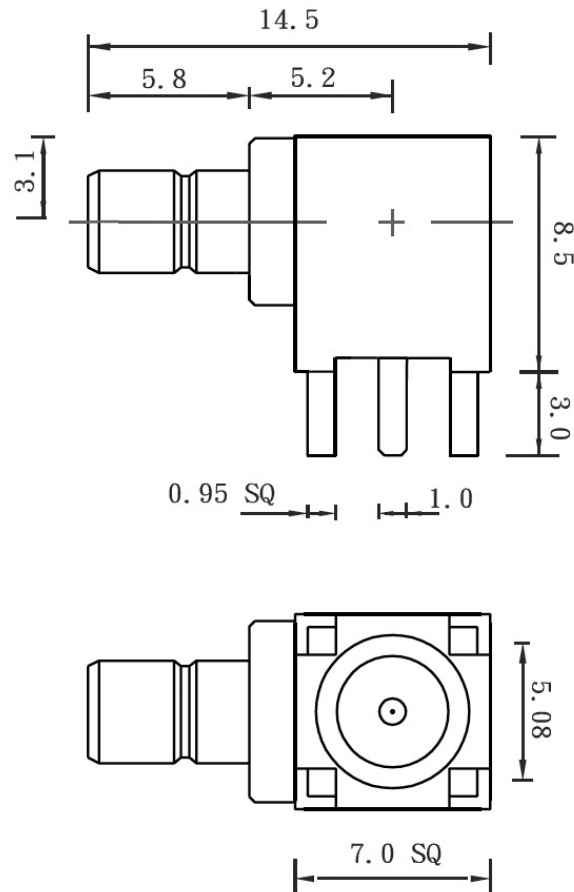


Impedance	50Ω
Frequency range	0 to 4GHz with low reflrction: usable to 10.0 GHz
Voltage rating for RG-188/U cables	Sea level 335 volts 70,000 ft: 85 volts
Dielectric withstanding voltage	750 VRMS RG-196 type 1000 VRMS for RG-188 type
VSWR (straight/rt.angle connectors)	RG-196/U series 1.30-.041(GHz) 1.45-.061(GHz)
	RG-188/U series 1.25-.041(GHz)/1.35-.041(GHz)
Contact resistance	Center contact: initial.6.0 miliohms; After environmental. 8.0
	Outer contact: initial.1.0 miliohms; After environmental. 1.5
Insulation resistance	Braid to body: initial.1.0 miliohms; After environmental. N/A
	1000 megohms min.
RF leakage	.55dB min.@2-3GHz
Insertion loss (straight/rt.angle connectors)	0.30dB @ 1.5GHz/0.6dB @ 1.5GHz

NOTE: FINISH (PLATING THICKNESS IN MICRO-INCHES)

1. BODY: BRASS PER JIS-C3604
2. CONTACT: PH/BRONZE PER ASTM B196 UNS C17300
3. INSULATION: TEFLON PER ASTM D1457 AND ASTM D1710
4. CONNECTOR INTERFACE PER MIL-STD-348A
5. PART TO BE CLEAN AND FREE BURRS
6. NICKEL PL 70 u" THICK OVER COPPER STRIKE
7. GOLD PL 3 u" OVER NICKEL PL 70 u" THICK OVER COPPER STRIKE



3	Insulator	Teflon	White
2	Contact	Brass	Gold
1	Body	Brass	Gold
No	Description	Material	Finish

DIMENSIONS ARE IN MILLIMETERS		<b>SPARKTRONIC CO., LTD.</b>		RoHS COMPLIANT	
TOLERANCE UNLESS OTHERWISE SPECIFIED		PART NO.	SB394CU-XGGT50	TITLE: SMB RIGHT ANGLE PCB MOUNT JACK	
LINEAR	0.0±0.25	DATE	July / 4 / 2011	DRAWING NO. SB394CU-XGGT50	
	0.00±0.15				
ANGLES	± 3	NOT SCALED DRAWING			