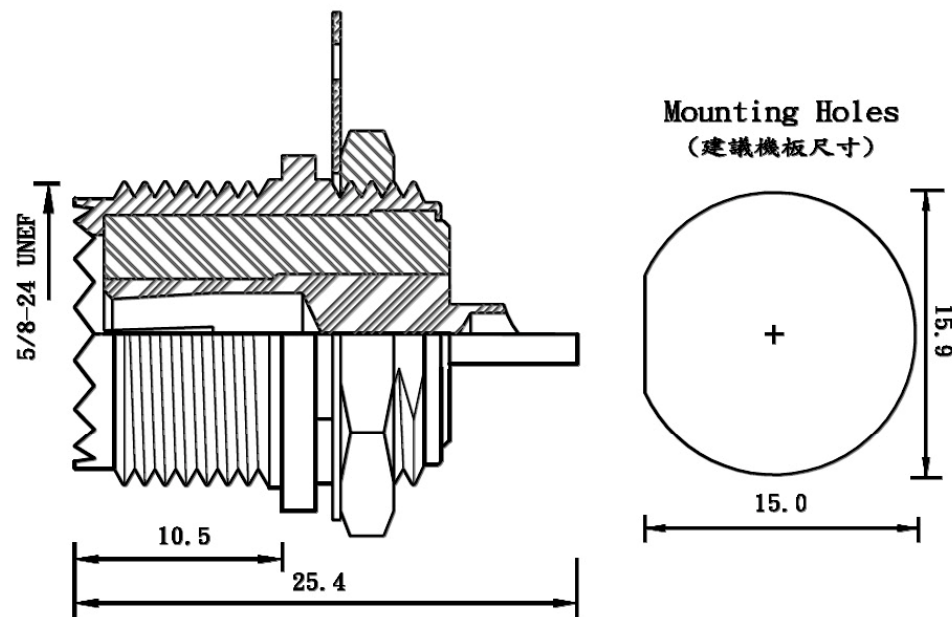


5	Lug	Steel	Nickel
4	Nut	Brass	Nickel
3	Insulator	Delrin	White
2	Contact	Brass	Nickel
1	Body	Zinc	Nickel
No	Description	Material	Finish



Impedance	Non-constant
Frequency range	0 ~ 300 MHz
Voltage rating	500 Volts peak
Temperature range	-55°C ~ 85°C
Mating	5/8-24 UNEF thread coupling
Cable affixment	Briad solder, Solderless clamp. Set screw clamp and crimp

NOTE: FINISH (PLATING THICKNESS IN MICRO-INCHES)

1. BRASS PER JIS-C3604
2. CONNECTOR INTERFACE PER MIL-STD-348A
3. PART TO BE CLEAN AND FREE BURRS
4. NICKEL PL 70 μ " THICK OVER COPPER STRIKE
5. GOLD PL 3 μ " OVER NICKEL PL 70 μ " THICK OVER COPPER STRIKE

DIMENSIONS ARE IN MILLIMETERS

SPARKTRONIC CO., LTD.

RoHS COMPLIANT

UNLESS OTHERWISE SPECIFIED

TOLERANCES 0.5-6= \pm 0.2

6-30= \pm 0.4

30-120= \pm 0.6

120-315= \pm 1.0

315-1000= \pm 1.6

1000-2000= \pm 2.4

PART NO.

U504ZN-XNND00

DATE

April / 30 / 2014

NOT SCALED DRAWING

TITLE: UHF JACK SOLDER BULKHEAD TYPE

DRAWING NO.

U504ZN-XNND00